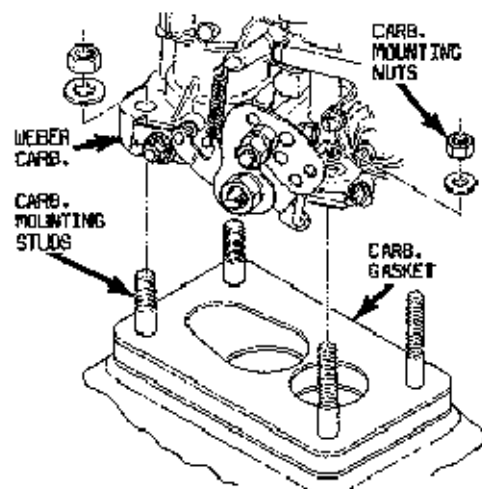
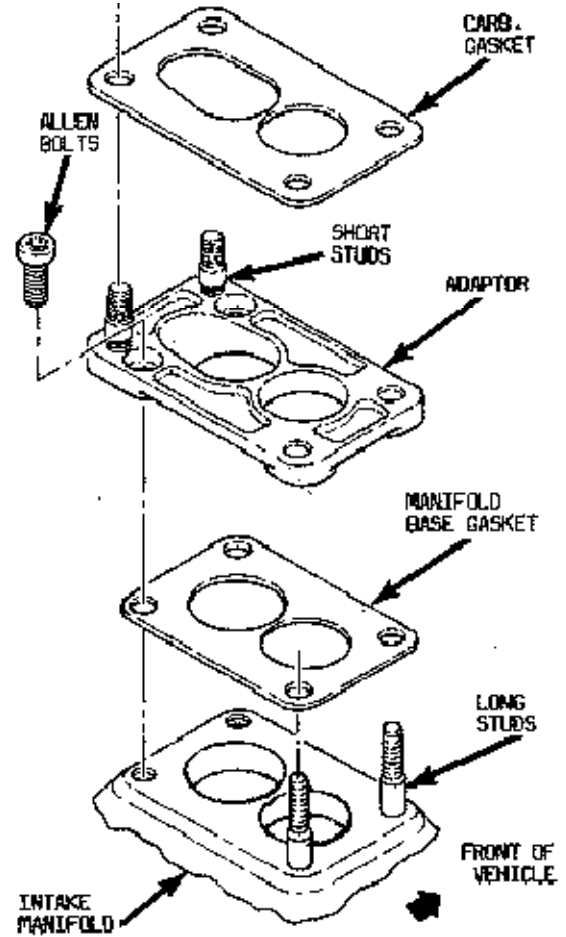
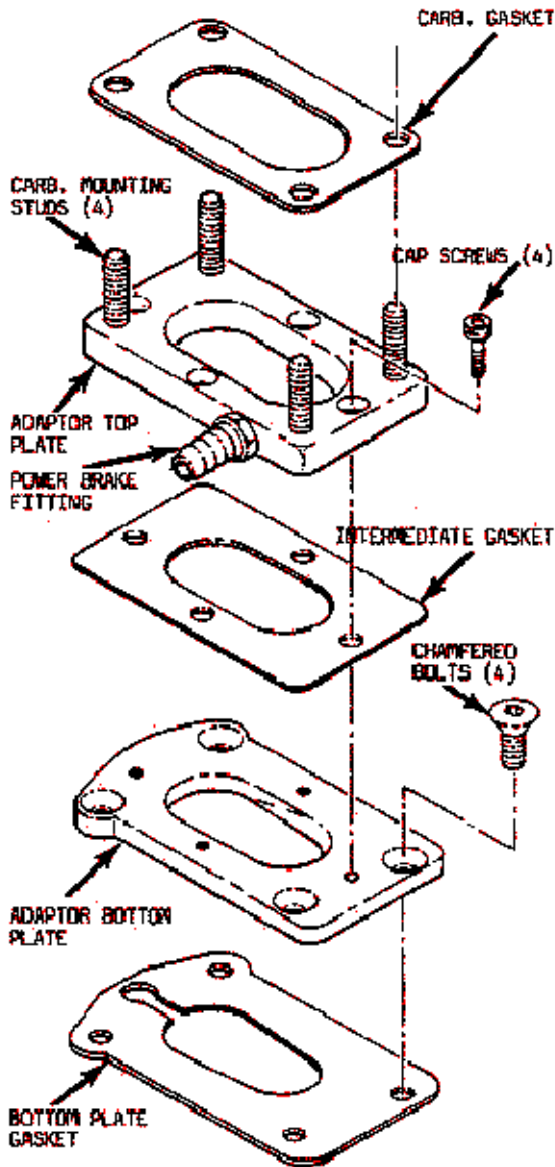


Typical adapter plate installation



IMPORTANT

These are only typical views and may vary due to application.
PCV/Power Break fitting may not be supplied on some adapters