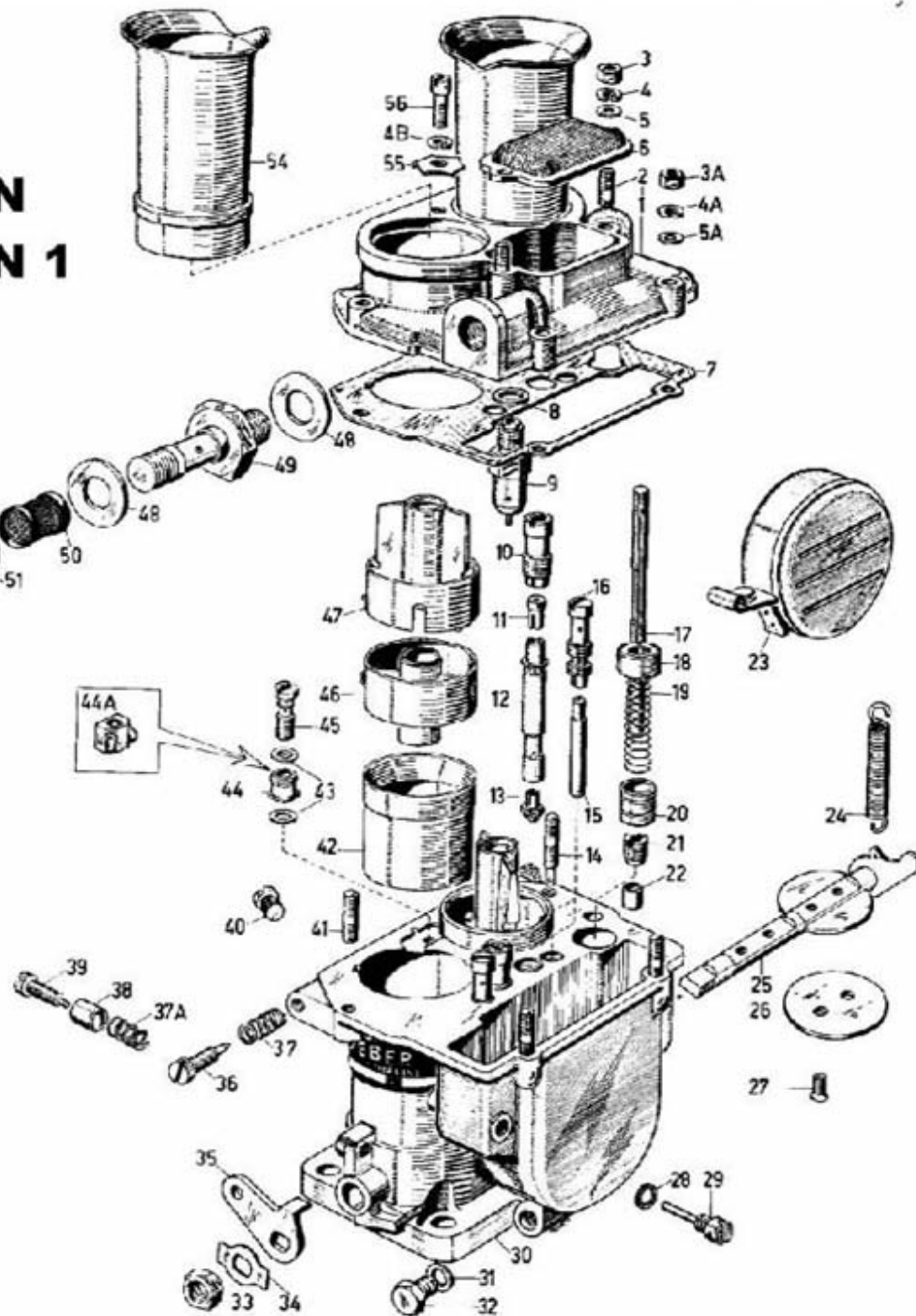


38 DCN 38 DCN 1



PARTS LIST TYPE 38 DCN – DCN 1

Dia No.	Qty. Req'd	Description	Part Number	Dia No.	Qty. Req'd	Description	Part Number
1	1	Carburetor Top Cover	Not Serviced	27	4	Throttle Plate Screw	64570.009
2	2	Stud	64955.009	28	1	Gasket	41530.017
3	2	Nut	34705.001	29	1	Float Pin	64900.003
3a	4	Nut	34705.001	30	1	Carburetor Body	Not Serviced
4	2	Spring Washer	55525.001	31	1	Washer	Not Serviced
4a	4	Spring Washer	55525.001	32	1	Plug	61002.006
4b	1	Spring Washer	55525.001	33	1	Fixing Nut	34715.015
5	2	Carburetor Washer	55510.034	34	1	Shaft Lock Tab	55520.002
5a	4	Carburetor Washer	55510.034	35	1	Lever	Not Serviced
6	1	Jet Cover	Not Serviced	36	2	Idle Mixture Screw	64750.001
7	1	Top Cover Gasket	41705.006	37	2	Spring	47600.007
8	1	Gasket	41530.049	37a	1	Spring	47600.007
9	1	Needle & Seat	79406.175	38	1	Sleeve	Not Serviced
10	2	Emulsion Tube Holder	52580.001	39	1	Screw	64590.003
11	2	Air Corrector Jet	77401.*	40	2	Plug	61015.001
12	2	Emulsion Tube	61450.*	41	3	Stud	64955.029
13	2	Main Jet	73401.*	42	2	Main Venture (Choke)	Not Serviced
14	1	Stud	Not Serviced	43	2	Pump Jet Gasket	41540.014
15	2	Idle Jet	TS1007.XXX	44	1	Pump Jet 38 DCN	Not Serviced
16	2	Idle Jet Holder	77903.*	44a	1	Pump Jet 38 DCN 1	Not Serviced
17	1	Pump Rod	Not Serviced	45	1	Valve	64290.005
18	1	Collar	Not Serviced	46	2	Auxiliary Venturi	Not Serviced
19	1	Spring	47600.034	47	2	Auxiliary Venturi Extension	Not Serviced
20	1	Plunger 38 DCN	58602.001	48	2	Gasket	41530.004
20	1	Plunger 38 DCN 1	58602.007	49	1	Fuel Banjo Bolt	10602.001
21	1	Valve	Not Serviced	50	1	Fuel Filter	37022.001
22	1	38 DCN	Not Serviced	51	1	Fuel Union	10354.006
22	1	38 DCN 1	12750.050	52	1	Gasket	41530.001
23	1	Float	Not Serviced	53	1	Banjo Cap Nut	Not Serviced
24	1	Throttle Return Spring	47605.009	54	2	Air Horn	Not Serviced
25	1	Throttle Shaft	10020.401	55	1	Air Horn Tab	52150.010
26	2	Butter Fly	64005.050	56	1	Screw	64535.001

*Calibrated Parts Require 3 Digits
To Complete Part Number
See Calibrated Parts Section For Sizes