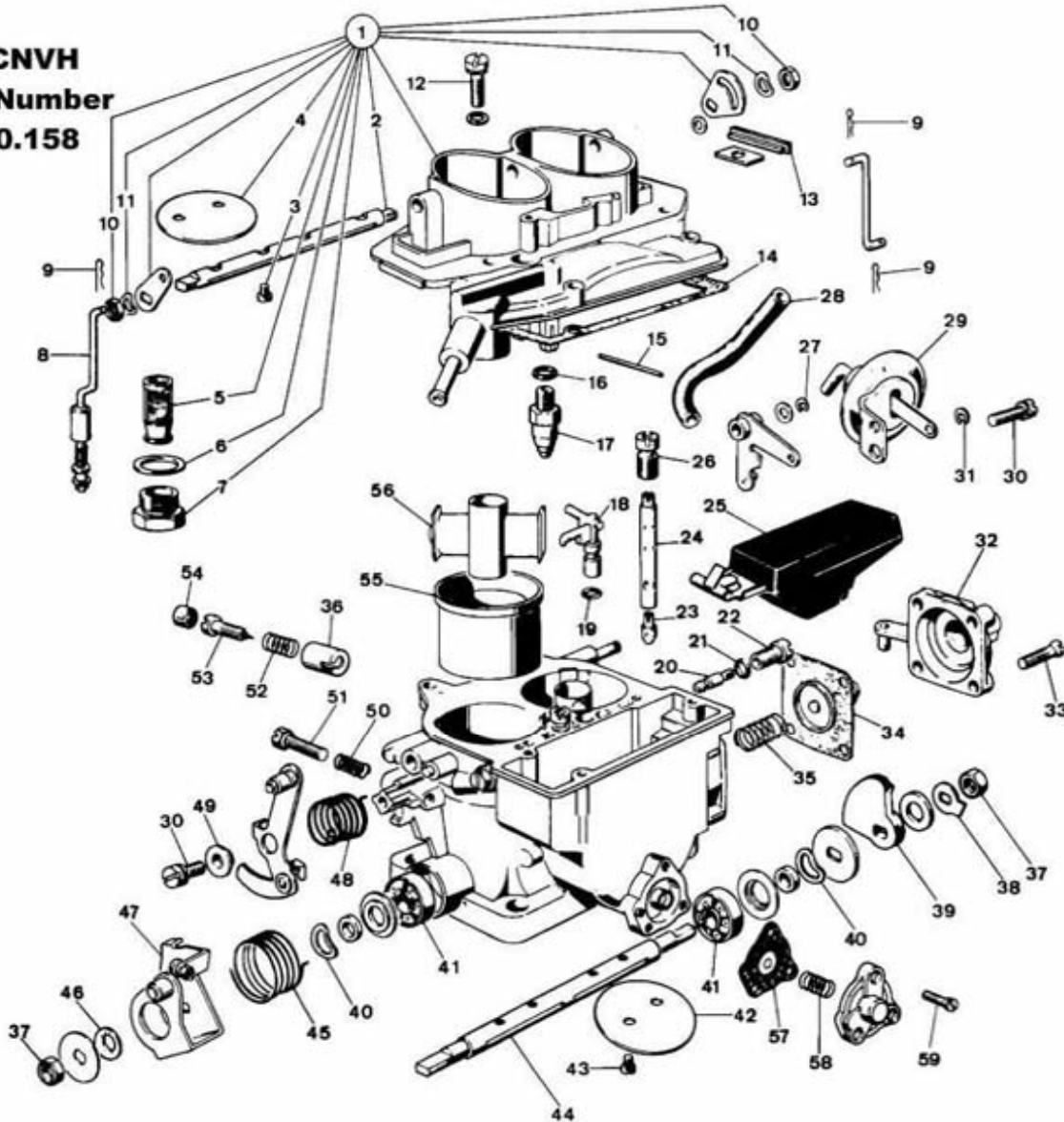


36 DCNVH
Part Number
18910.158



PARTS LIST
TYPE 36 DCNVH
Part Number 18910.158

Dia No.	Qty. Req'd	Description	Part Number	Dia No.	Qty. Req'd	Description	Part Number
1	1	Top Cover Assembly	N/a	29	1	Capsule Assembly	57804.556
2	1	Choke Shaft	10005.225	30	2	Lever Fixing Screw	64700.012
3	4	Choke Plate Fixing Screw	64525.003	31	1	Spring Ring	10140.501
4	2	Choke Plate	64005.052	32	1	Pump Diaphragm Cover	N/a
5	1	Fuel Filter	37022.010	33	4	Screw	64565.001
6	1	Fuel Filter O-Ring	41540.012	34	1	Pump Diaphragm	47407.261
7	1	Fuel Filter Cover	61002.010	35	1	Pump Diaphragm Spring	47600.161
8	1	Choke Rod	61287.056	36	2	Bushing	N/a
9	3	Cotter Pin	32610.003	37	2	Throttle Spindle Nut	34710.003
10	2	Nut	34715.006	38	1	Shaft Lock Tab	55520.004
11	2	Spring Washer	55530.008	39	1	Pump Cam	14852.042
12	5	Top Cover Fixing Screw	64700.005	40	2	Spring Washer	55530.010
13	2	Dust Seal Plug	61070.002	41	2	Sealed Bearing	32650.003
14	1	Top Cover Gasket	41705.051	42	2	Throttle Plate	64005.014
15	1	Float Pin	52000.010	43	4	Screw	64520.027
16	1	Needle & Seat Washer	83102.120	44	1	Throttle Shaft	10005.211
17	1	Needle & Seat	79503.*	45	1	Spring	47610.155
18	1	Pump Jet	76414.*	46	1	Washer	55535.004
19	1	O-Ring	41565.001	47	1	Lever	N/a
20	2	Idle Jet	74405.*	48	1	Spring	47610.099
21	2	O-Ring For Idle Jet Holder	41565.002	49	1	Washer	12775.057
22	2	Idle Jet Holder	52570.006	50	1	Spring	47600.007
23	2	Main Jet	73405.*	51	1	Screw	64625.025
24	2	Emulsion Tube	61450.*	52	2	Spring	47600.093
25	1	Float	N/a	53	2	Mixture Screw	N/a
26	2	Air Corrector Jet	77501.*	54	2	Mixture Screw Plug	N/a
27	1	Clip	10140.502	55	2	Main Venturi (Choke)	N/a
28	1	Vacuum Hose	61400.038	56	2	Auxiliary Venturi	N/a
		*Calibrated Parts Require 3 Digits To Complete Part Number		57	1	Diaphragm	47407.156
		See Calibrated Parts Section For Sizes		58	1	Starter Valve Spring	47600.105
				59	3	Screw	64565.002