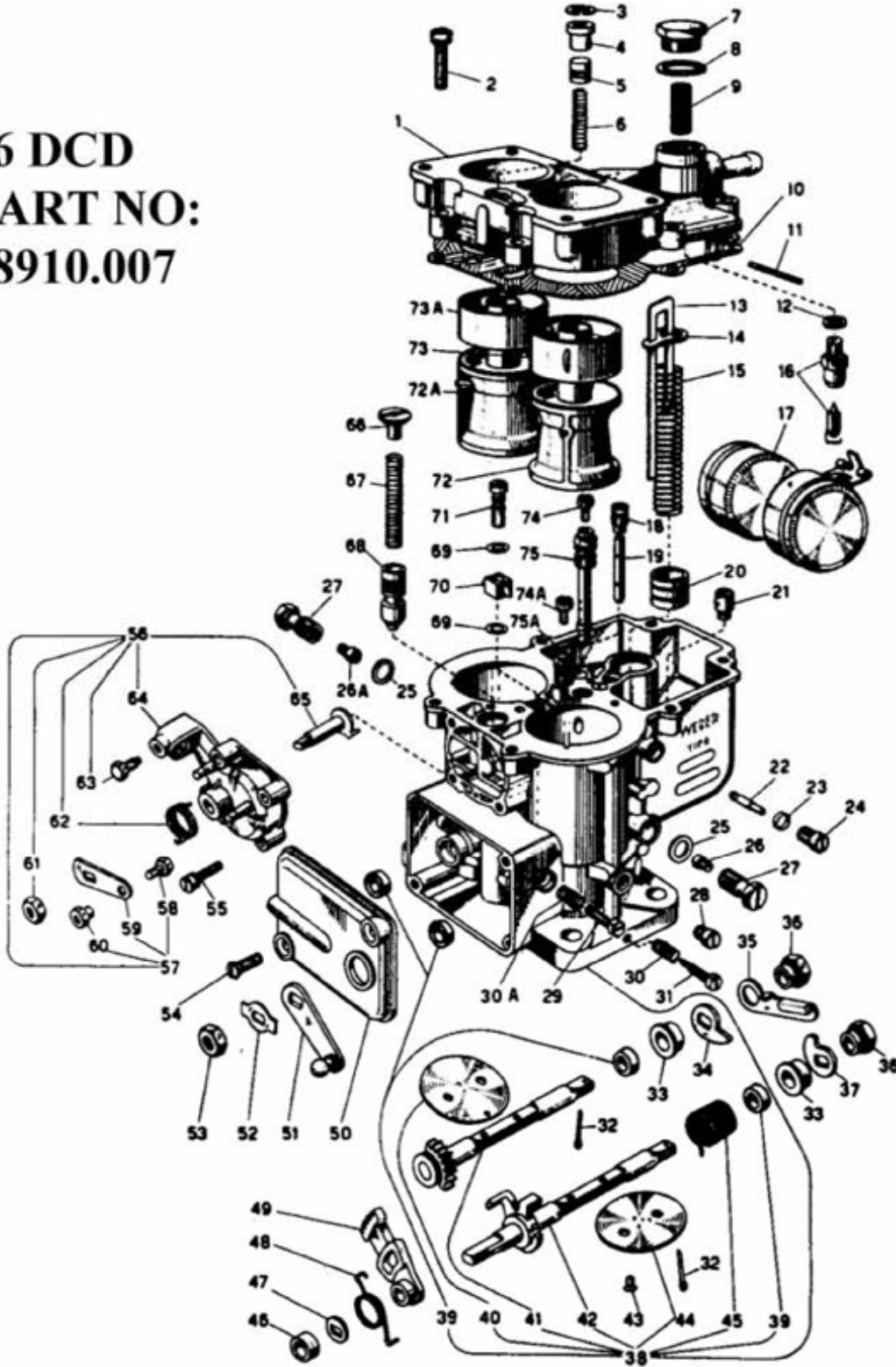


**36 DCD
PART NO:
18910.007**



**PARTS LIST
TYPE 36 DCD – PART NO. 18910.007**

Dia No.	Qty. Req'd	Description	Part Number	Dia No.	Qty. Req'd	Description	Part Number
1	1	Carburetor Top Cover	NLA	41	1	Shaft For Secondary Duct	10015.407
2	6	Carburetor Cover Fixing Screw	64700.001	42	1	Shaft For Primary Duct	10015.416
3	1	Lock Washer	10140.010	43	4	Throttle Valve Fixing Screw	Not Serviced
4	1	Starter Plunger Seat	12775.013	44	1	Throttle Valve For Primary Duct	64005.045
5	1	Starter Plunger	58600.007	45	1	Return Spring	47610.034
6	1	Starter Plunger Spring	47600.052	46	1	Shaft Distance Piece	12750.039
7	1	Filter Cover	61002.010	47	1	Primary Shaft Distance Washer	55555.016
8	1	Filter Cover Gasket	41530.024	48	1	Return Spring-Primary Toothed Sector	47610.009
9	1	Gauze Filter	37022.010	49	1	Primary Toothed Sector	58202.001
10	1	Top Cover Gasket	41705.002	50	1	Toothed Sector Box Cover	32464.008
11	1	Float Pin	83102.070	51	1	Throttle Control Lever	45027.001
12	1	Needle Valve Gasket	83102.070	52	1	Tab Washer	55520.002
13	1	Plunger Shaft	10400.012	53	1	Throttle Control Lever Fixing Nut	34715.014
14	1	Plunger Spring Retaining Plate	52140.002	54	2	Screw, Toothed Sector Cover Box	64570.004
15	1	Pump Plunger Spring	47600.085	55	4	Fixing Screw, Sheath Support Cover	64700.004
16	1	Needle & Seat	79507.*	56	1	Sheath Support Cover	32536.005
17	1	Float	41030.011	57	1	Starter Control Lever	45027.017
18	1	Air Corrector Jet	77505.*	58	1	Cable Fixing Screw	64800.002
19	1	Starter Jet	75504.*	59	1	Starter Control Lever	45025.003
20	1	Pump Plunger	58602.004	60	1	Cable Fixing Screw Nut	34715.010
21	1	Intake Valve With Exhaust Orifice	79701.*	61	1	Starter Control Lever Fixing Nut	34715.010
22	1	Idle Jet	74401.*	62	1	Starter Control Lever Return Spring	47610.004
23	1	Idle Jet Holder Gasket	41565.045	63	1	Sheath Fixing Screw	64605.017
24	1	Idle Jet Holder	52570.005	64	1	Cover With Sheath Support	Not Serviced
25	2	Main Jet Holder Gasket	41540.001	65	1	Starter Valve Control Shaft	10085.004
26	1	Primary Main Jet	73801.*	66	1	Spring Guide And Retainer	52030.001
26a	1	Secondary Main Jet	73801.*	67	1	Starter Valve Spring	47600.051
27	2	Main Jet Holder	52590.001	68	1	Starter Valve	64330.001
28	1	Inspection Screw	61015.001	69	2	Pump Jet Gasket	41540.014
29	1	Throttle Adjustment Screw	64625.002	70	1	Pump Jet	76203.*
30	1	Idle Mixture Screw Spring	47600.084	71	1	Pump Delivery Valve	64290.005
30a	1	Throttle Adjustment Screw Spring	47600.084	72	1	Primary Venturi	71702.*
31	1	Idle Mixture Adjustment Screw	64755.006	72a	1	Secondary Venturi	71701.*
32	2	Split Pin	Not Serviced	73	1	Auxiliary Venturi, Primary	69001.*
33	2	Shaft Distance Piece	12775.012	73a	1	Auxiliary Venturi, Secondary	69001.*
34	1	Second Pumping Lever	45080.010	74	1	Air Corrector Jet, Primary	77502.*
35	1	Pump Control Loosened Lever	45067.001	74a	1	Air Corrector Jet, Secondary	77502.*
36	2	Shaft Nut	34720.001	75	1	Emulsion Tube, Primary	61455.*
37	1	Pumping Lever	45080.011	75a	1	Emulsion Tube, Secondary	61455.*
38	1	Carburetor Body	Not Serviced				
39	4	Spindle Grommet	Not Serviced				
40	1	Throttle Valve For Secondary Duct	64005.046				

*Calibrated Parts Require 3 Digits To Complete Part Number See Calibrated Parts Section For Sizes