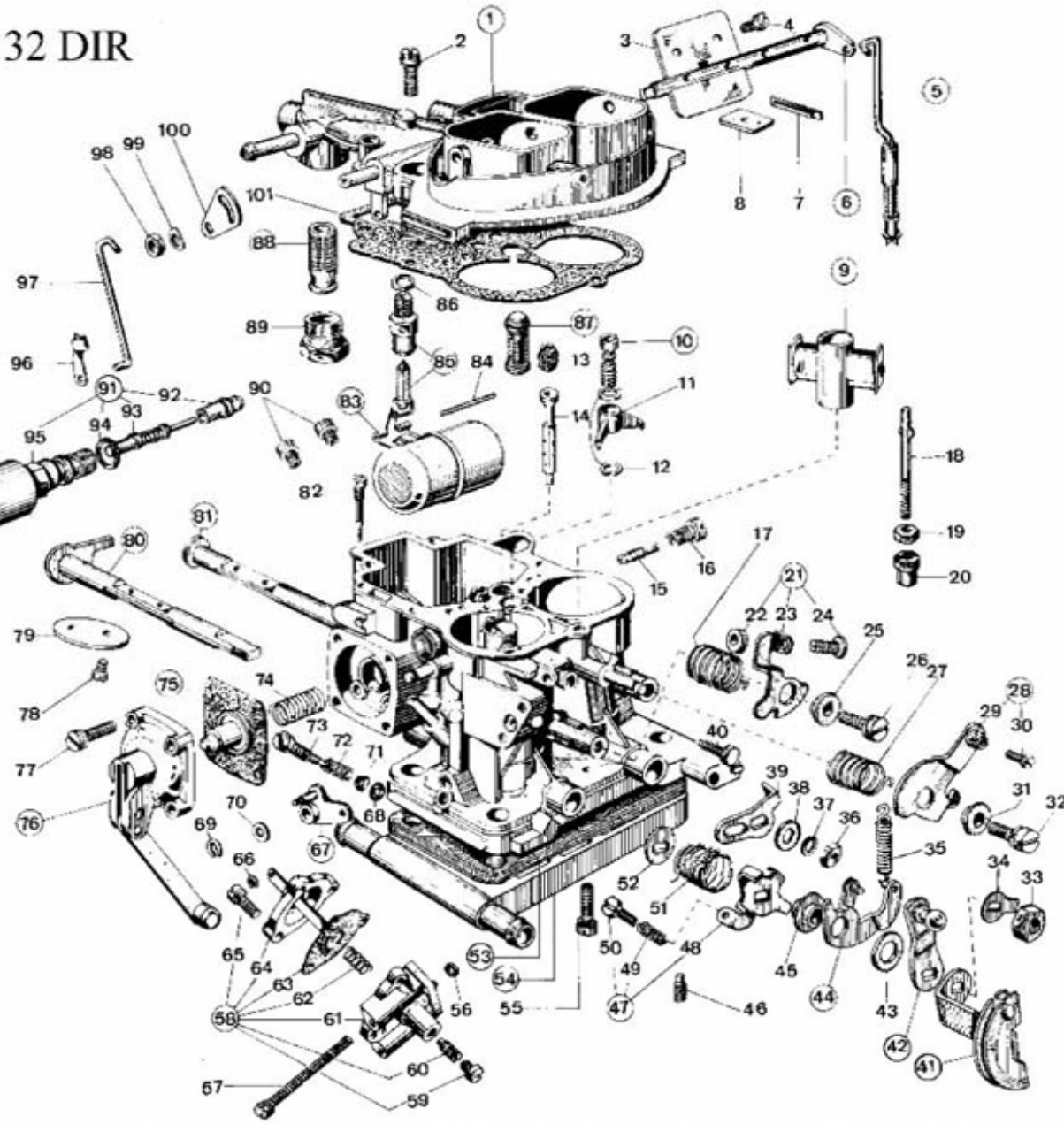


32 DIR



## PARTS LIST TYPE 32 DIR

Dia No.	Qty. Req'd	Description	Part Number	Dia No.	Qty. Req'd	Description	Part Number
1	1	Top Cover	31716.185	51	1	Spring	47610.012
2	5	Top Cover Fixing Screw	64700.005	52	1	Shaft Spacer	55555.001
3	2	Choke Plate	64010.006	53	1	Base Spacer Gasket	39152.014
4	4	Choke Plate Fixing Screw	64525.003	54	1	Heated Base	39166.001
5	1	Choke Rod	61287.012	55	1	Screw	64695.021
6	1	Choke Shaft	10020.215	56	1	O-Ring	41565.008
7	2	Dust Seal Plug	61070.002	57	2	Screw	64700.020
8	2	Dust Seal Plate	52135.010	58	1	Cold Start Unit -Including	57804.065
9	2	Auxiliary Venturi	71120.350	59	1	-Plug	61015.003
10	1	Valve	64290.015	60	1	-Screw	64595.005
11	1	Pump Jet	76227*	61	1	-Starting Device	57804.023
12	2	Pump Jet Gasket	41540.014	62	1	-Spring	47600.003
13	2	Air Corrector Jet	77201.*	63	1	-Diaphragm	47407.065
14	2	Emulsion Tube	61440.*	64	1	-Cold Start Cover	32382.011
15	1	Idle Jet	74403.*	65	3	-Fixing Screw	64700.004
16	1	Idle Jet Holder	52570.005	66	1	Spring Ring	10140.501
17	1	Spring	47610.056	67	1	Lever	45027.114
18	1	Rod	61285.025	68	1	O-Ring	41565.002
19	1	Nut	34705.002	69	1	Clip	10140.502
20	1	Screw	64905.001	70	1	Washer	55510.034
21	1	Lever Assembly -Including	45138.012	71	1	Cup Washer	58000.006
22	1	-Nut	34715.006	72	1	Spring	47600.007
23	1	-Lever	45136.056	73	1	Mixture Screw	64750.042
24	1	-Screw	64595.009	74	1	Accelerator Pump Spring	47600.107
25	1	Bushing	12775.058	75	1	Pump Diaphragm	47407.261
26	1	Lever Fixing Screw	64700.012	76	1	Accelerator Pump Cover	32486.019
27	1	Spring	47610.056	77	4	Fixing Screw	64700.004
28	1	Lever Assembly -Including	45202.085	78	4	Fixing Screw	64520.023
29	1	-Lever	45202.084	79	2	Throttle Valve	64005.090
30	1	-Screw	64615.004	80	1	Primary Throttle Shaft	10015.505
31	1	Bushing	12775.057	81	1	Secondary Throttle Shaft	10015.479
32	1	Lever Fixing Screw	64700.012	82	1	Pump Discharge Blanking Needle	64900.001
33	1	Throttle Shaft Fixing Nut	34715.014	83	1	Brass Float	41015.004
34	1	Shaft Lock Tab	55520.002	84	1	Float Pin	52000.015
35	1	Spring	47605.034	85	1	Needle & Seat	79510.*
36	1	Fixing Nut	34705.001	86	1	Needle Valve Gasket	83102.070
37	1	Spring Washer	55525.001	87	1	Valve	Not Available
38	1	Washer For Loose Lever	55510.046	88	1	Fuel Filter	37022.010
39	1	Lever	45032.013	89	1	Strainer Inspection Plug	61002.018
40	1	Choke Cable Clamp	64605.017	90	2	Main Jet	73801.*
41	1	Carb Lever	45041.089	91	1	Idle Cut Off Solenoid Unit -Including	43840.001
42	1	Lever	45027.112	92	1	-Idle Jet	74407.*
43	1	Washer For Loose Lever	55510.061	93	1	-Needle	52352.001
44	1	Lever	45069.021	94	1	-Gasket	41565.013
45	1	Spacer Bushing	12765.002	95	1	-Idle Cut Off	43846.001
46	1	Screw For Secondary Throttle	64595.005	96	1	Spring	47670.008
47	1	Lever Assembly -Including	45138.011	97	1	Rod	61280.094
48	1	-Lever	45136.055	98	1	Nut	34715.006
49	1	-Spring	47600.007	99	1	Washer	55530.007
50	1	-Screw	64625.006	100	1	Lever	45129.012
		*Calibrated Parts Require 3 Digits To Complete Part Number		101	1	Top Cover Gasket	41705.028
		See Calibrated Parts Section For Sizes					