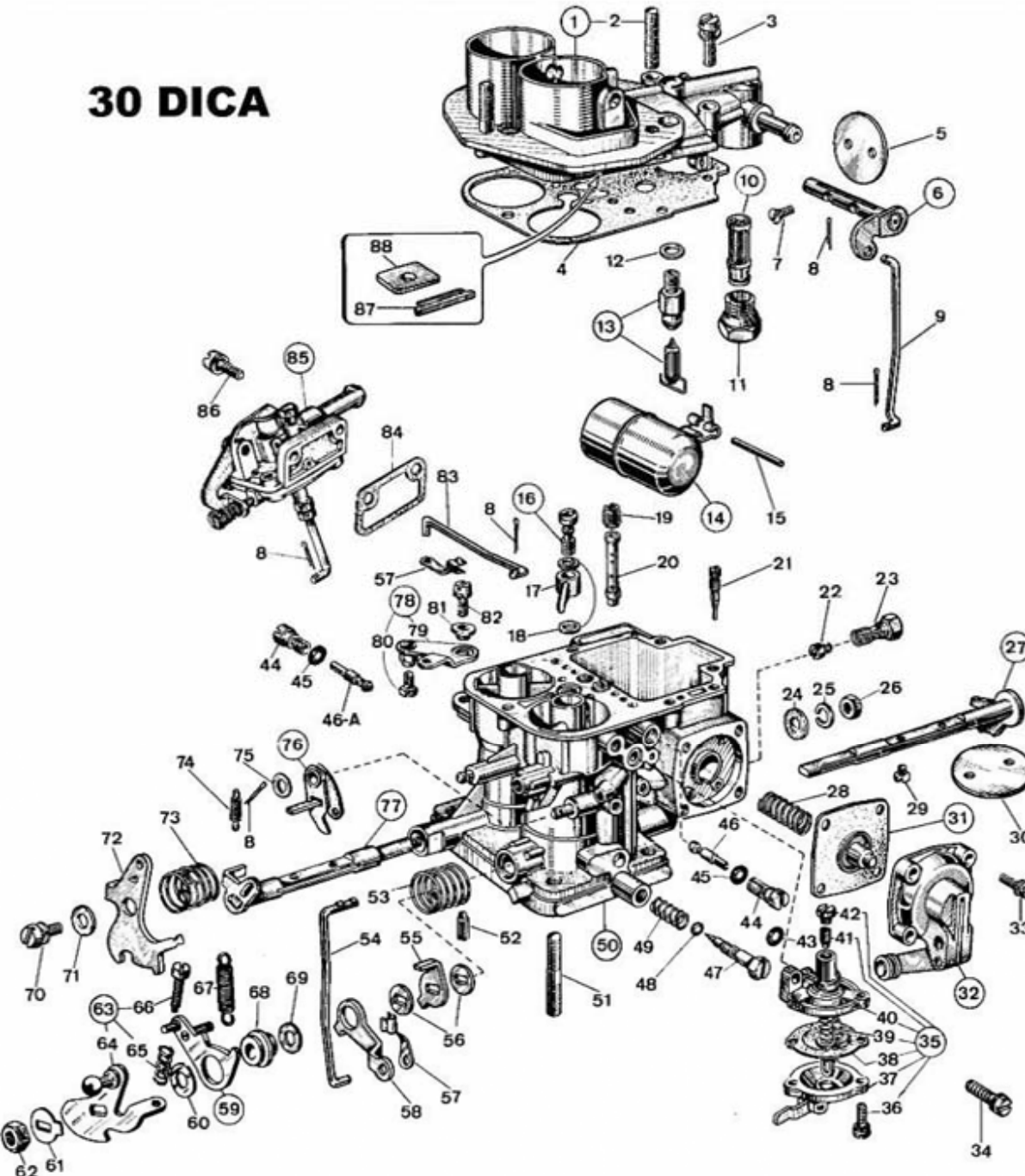


# 30 DICA



## PARTS LIST TYPE 30 DICA

Dia No.	Qty. Req'd	Description	Part Number	Dia No.	Qty. Req'd	Description	Part Number
1	1	Carburetor Top Cover	Not Serviced	45	2	O-Ring	41565.002
2	3	Stud	64955.001	46	2	Idle Jet	74403.*
3	5	Top Cover Fixing Screw	64700.005	47	1	Mixture Screw	64755.008
4	1	Top Cover Gasket	41705.004	48	1	O-Ring	41565.010
5	1	Choke Plate	64005.003	49	1	Spring	47600.095
6	1	Choke Rod	10015.204	50	1	Carburetor Body	Not Serviced
7	2	Screw	64570.007	51	2	Stud	64955.102
8	5	Split Pin	32610.005	52	2	Stud	64595.030
9	1	Carburetor Rod	61280.009	53	1	Spring	47610.039
10	1	Fuel Filter	37022.010	54	1	Carburetor Rod	61280.010
11	1	Strainer Inspection Plug	61002.018	55	1	Throttle Stop	45136.005
12	1	Needle Valve Gasket	83102.070	56	2	Shaft Spacer	55555.016
13	1	Needle & Seat	79507*	57	2	Rod Clamp	47670.002
14	1	Float	41015.011	58	1	Lever	45032.001
15	1	Float Pin	52000.010	59	1	Loose Lever	45069.004
16	1	Valve	64290.015	60	1	Washer For Loose Lever	55510.061
17	1	Pump Jet	76216*	61	1	Shaft Lock Tab	55520.002
18	2	Pump Jet Gasket	41540.014	62	1	Throttle Shaft Fixing Nut	34715.014
19	2	Air Corrector	77201.*	63	1	Lever	45034.024
20	2	Emulsion Tube	61440.*	64	1	Lever	45034.025
21	1	Pump Discharge Blanking Needle	64900.001	65	1	Spring	47600.007
22	2	Main Jet	73801.*	66	1	Screw	64590.004
23	2	Jet Holder	52590.002	67	1	Spring	47605.011
24	1	Washer	55510.002	68	1	Bushing For Loose Lever	12775.006
25	1	Spring Washer	55525.001	69	1	Wavy Washer	55530.002
26	1	Nut	34705.001	70	1	Lever Fixing Screw	64700.012
27	1	Oversized Primary Throttle Shaft	10016.469	71	1	Washer	55510.002
28	1	Accelerator Pump Spring	47600.107	72	1	Lever	45200.001
29	4	Throttle Plate Fixing Screw	64520.023	73	1	Spring	47610.056
30	2	Throttle Plate	64005.004	74	1	Spring	47605.022
31	1	Accelerator Pump Diaphragm	47407.249	75	1	Carburetor Washer	55510.034
32	1	Accelerator Pump Cover	32486.006	76	1	Lever	45034.056
33	4	Fixing Screw	64700.004	77	1	Oversized Secondary Shaft	10016.470
34	1	Screw	64700.002	78	1	Lever	45096.024
35	1	Starting Device	57804.029	79	1	Lever	45096.023
36	3	Fixing Screw	64700.004	80	1	Screw	64615.004
37	1	Cover	32386.004	81	1	Bushing For Lever	12775.010
38	1	Diaphragm	47407.044	82	1	Lever Fixing Screw	64700.012
39	1	Spring	47600.070	83	1	Carburetor Rod	61280.008
40	1	Starting Device	57804.028	84	1	Gasket	41640.025
41	1	Screw	64595.005	85	1	Capsule	31800.009
42	1	Plug	61015.003	86	2	Screw	64700.002
43	1	O-Ring	41565.008	87	1	Dust Seal Plug	61070.002
44	2	Idle Jet Holder	52570.006	88	1	Dust Seal Plate	52135.010

4/27/01

\*Calibrated Parts Require 3 Digits To  
Complete Part Number  
See Calibrated Parts Section For Sizes